

Product *SPOTLIGHT* Secure Seal®

Security MOTDAMP Series Motorized Dampers

are designed for use with Secure Seal® UL 1738 and ULC S636 Single-Wall & Double-Wall Gas Vent systems to improve efficiency and conserve energy on commercial gas-fired boilers and other appliances. They are commonly used in multiple appliance applications that are installed in series and work to isolate each system to prevent heat loss and flue gas migration between appliances as well as backflow.

Features & Benefits

When an appliance is in standby mode, heat escapes up the chimney. By installing a motorized damper in the vent system as close to the draft hood as practical, heat loss is significantly reduced. When properly installed, the damper opens before the burner fires and closes after the burner shuts off. The damper construction features a full perimeter stainless steel blade seal, suitable for high temperature operation with low leakage rates.

Important

The max rated temperature for the fixed blade damper is 392°F (200°C). When used, the entire vent system must be de-rated in maximum temperature to this value. Always follow appliance manufacturer's installation instructions for proper appliance setup and venting requirements.

Cost Saving Advantages:

- Reduces heat loss during standby mode.
- Short payback period due to no off-cycle losses.

Rugged construction, no maintenance required:

- All 316 Stainless Steel hardware and stainless steel condensate tight bushings.

Versatile, easy to install:

- Damper is not position sensitive; comes factory shipped with Male/Female ends, no adaptors required.

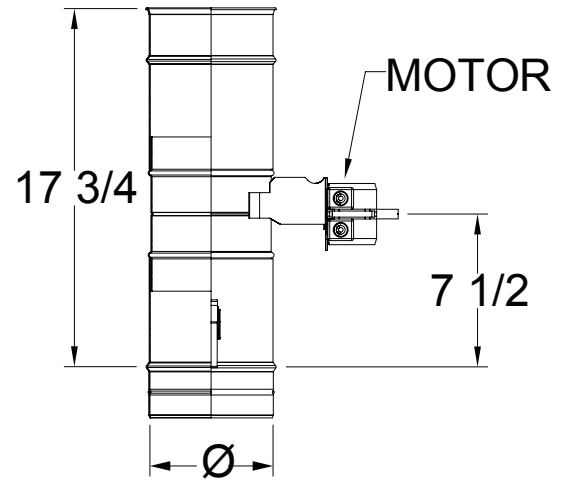
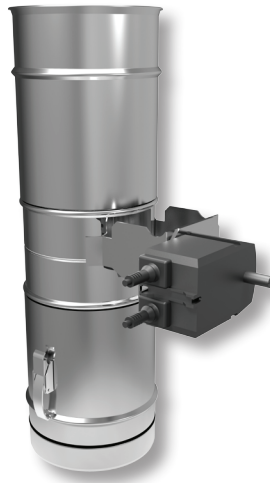
Available in Single (SSØMOTDAMP) or Double-wall (SSDØMOTDAMP) configurations, no adaptors required.

Damper Specifications	
Available Sizes (ID)	3" to 18"
Connections	Male / Female
Material	316L Stainless Steel
Temperature Rating	392°F (200°C)
Clearance to Combustibles	Min 6"
Listing/Certification	ANSI Z21.66-2015 CSA 6.14-2015

Actuator Specifications	
Voltage Range	AC 85...265V
Frequency	50/60 Hz
Power Consumption	5 VA
Auxiliary Switch	2 x SPDT, fixed at 8° and 80° (+/- 4°)



Single-Wall Motorized Damper	
Ø	Product Code
3"	SS3MOTDAMP
4"	SS4MOTDAMP
6"	SS6MOTDAMP
8"	SS8MOTDAMP
10"	SS10MOTDAMP
12"	SS12MOTDAMP
14"	SS14MOTDAMP
16"	SS16MOTDAMP
18"	SS18MOTDAMP



Double-Wall Motorized Damper	
Ø	Product Code
3"	SSD3MOTDAMP
4"	SSD4MOTDAMP
6"	SSD6MOTDAMP
8"	SSD8MOTDAMP
10"	SSD10MOTDAMP
12"	SSD12MOTDAMP
14"	SSD14MOTDAMP
16"	SSD16MOTDAMP
18"	SSD18MOTDAMP

